

Kyoto Breast Cancer Consensus Conference 2011 International Convention Exhibitors Guidance

The “Kyoto Breast Cancer Consensus Conference 2011 International Convention” will be held at the Kyoto International Conference Center from 14th to 16th April 2011. The conference will be attended by many doctors and researchers involved in the treatment of breast cancer. The exhibition is currently under preparation.

There will be space provided in prime locations for exhibitors on site at the main conference venue. This conference will provide an excellent opportunity for exhibitors to promote their products. We would like to invite exhibitors to make use of this great opportunity.

Kindest regards,

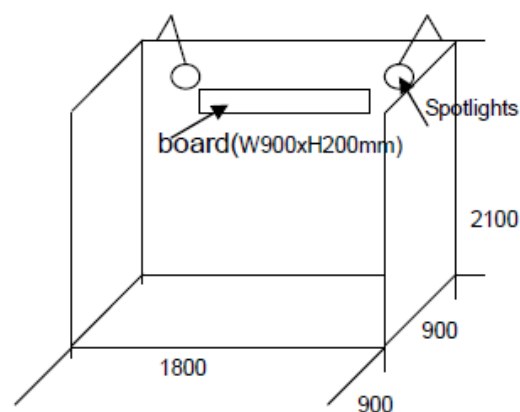
Professor Masakazu Toi

Kyoto University School of Medicine, Breast Surgery Unit

Facilitator of Kyoto Breast Cancer Consensus Conference 2011 International Convention

1. Conference Period: Thursday 14th April – Saturday 16th April 2011
2. Conference Venue: Kyoto International Conference Center, Kyoto City, Japan
Takaragaike, Sakyo-ku, Kyoto city, 606-0001
Tel: 075-705-1234 Fax: 075-705-1100
3. Exhibition Venue: Annex Hall
4. Exhibition Date: Thursday 14th April – Saturday 16th April 2011. During the whole conference period. Exhibit preparation Wednesday 13th April and removal Saturday afternoon 16th April after the closure of the conference.

5. Basic Booth:
 - ① Booth measurements; frontage 1800mm x depth 1800mm x height 2100mm.
 - ② Basic booth decoration will be paper finish (white) for back as well as side panels. There is an additional fee if specifying colours.
 - ③ The company name board will be made at no charge by the secretariat.
 - ④ Spotlights (100W x 2). Chairs are provided free of charge. For exhibition tables there will be a fee payable.
 - ⑤ Other than the above charge for decoration etc you must pay for all other costs.



6. Exhibit charge: 200,000 Yen per booth (not inclusive of consumption tax)
7. How to apply: Fill in the application form and apply before **22nd December 2010** The invoice will be sent to you separately.
8. Booth positions: The layout of the booth positions will be sent at a later date to the exhibitors who apply. We will also send an application form for electricity, equipment etc. (the wishes of exhibitors who apply first will be prioritized)
9. Other: Provision of drinks possible. Rental of larger space possible.

[Application and enquiries]

Kyoto Breast Cancer Consensus Conference (KBCCC) Secretariat
Kinki District Invention Center First floor, 14 Yoshida-Kawara cho, Sakyo-ku, Kyoto 606-8305,
Japan

TEL: +81-75-761-5751 FAX: +81-75-761-5718

E-mail: info@kyoto-breast-cancer.org URL: <http://www.kyoto-breast-cancer.org/>

FAX Number +81-75-761-5718

**Kyoto Breast Cancer Consensus Conference 2011 International Convention
Application for the Concurrent Exhibition**

To Kyoto Breast Cancer Consensus Conference

Deadline: 22nd December 2010

We apply as below in accordance with this conference exhibition guidance

Number of booths/ Exhibition fee	@200.000 xbooth(s)= ¥..... (not inclusive of consumption tax)		
Main exhibition products			
Special decoration	Yes / No	Company name board <small>*included in the exhibition fee</small>	Yes / No

(Day) / (Month) / (Year) 2010

Company name of exhibitor:

Japanese.....

English (company name board will be in English)

Name of representative

Name of person in charge.....

Department

Address

Tel number.....FAX number.....

E-mail

Apply to: Kyoto Breast Cancer Consensus Conference (KBCCC) Secretariat
Kinki District Invention Center first floor, 14 Yoshida-Kawara cho, Sakyo-ku, Kyoto, 606-8305,
Japan
TEL: +81-75-761-5751 FAX: +81-75-761-5718
E-mail: info@kyoto-breast-cancer.org